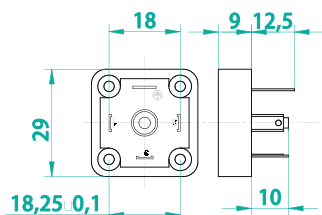


**Basetta 4 fori**  
Male Plugs 4 bores  
Stiftplatten 4 Bohrungen



**Forma A**  
Shape A  
Form A

2P+1T = 121824FQ000  
3P+1T = 121834FQ000

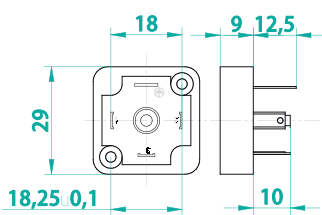


**Basetta 2 fori**  
Male Plugs 2 bores  
Stiftplatten 2 Bohrungen



**Forma A**  
Shape A  
Form A

2P+1T = 121822FQ000  
3P+1T = 121832FQ000

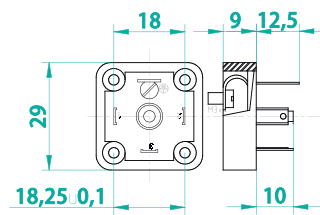


**Basetta 4 fori con vite di terra**  
Male Plugs 4 bores with ground Screw  
Stiftplatten 4 Bohrungen mit Erdungsschraube



**Forma A**  
Shape A  
Form A

2P+1T = 121824FQV00  
3P+1T = 121834FQV00

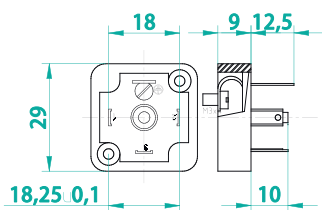


**Basetta 2 fori con vite di terra**  
Male Plugs 2 bores with ground screw  
Stiftplatten 2 Bohrungen mit Erdungsschraube



**Forma A**  
Shape A  
Form A

2P+1T = 121822FQV00  
3P+1T = 121832FQV00

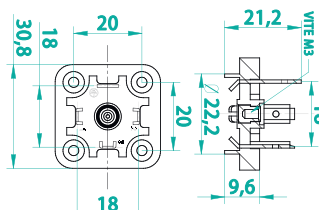


**Basetta 4 fori con centraggio**  
Male Plugs shape A 4 bores with centering  
Stiftplatten form A 4 Bohrungen mit Zentrierung



**Forma A**  
Shape A  
Form A

2P+1T = 121824FQC00  
3P+1T = 121834FQC00

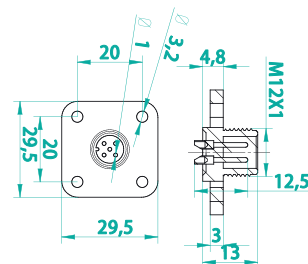


**Basetta M12 5 poli 4 fori**  
Male Plugs M12 5 Poles 4 Bores  
Stiftplatten M12 5 Polen 4 Bohrungen



**Forma M12**  
Shape M12  
Form M12

2P+1T = 121254FQ000

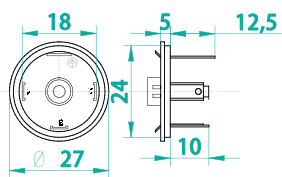


**Basetta tonda**  
Round Male Plugs  
Rund Stiftplatten



**Forma A**  
Shape A  
Form A

2P+1T = 1218200T000  
3P+1T = 1218300T000

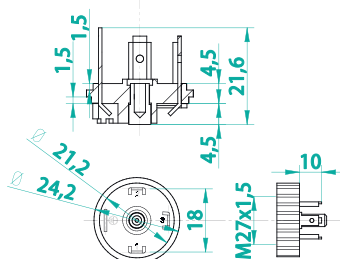


**Basetta tonda con ghiera**  
Round Male Plugs with locking ring  
Rund Stiftplatten mit Nutmutter



**Forma A**  
Shape A  
Form A

2P+1T = 1218200TG00  
3P+1T = 1218300TG00

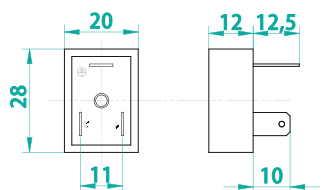


**Basetta passo 11 mm**  
Male Plugs spacing 11 mm  
Stiftplatten abstand 11 mm



**Forma B**  
Shape B  
Form B

2P+1T = 121121FR000





VERSIONE BASETTA Male plug version/Stiftplatten Ausführung	1218 - 1211	1208 - 1294	1212
<b>Corpo basetta</b> Male Plugs Body/Stiftplatten Körper	PA 66 + 30% FV		
<b>Sezione massima conduttori</b> Male Plugs Body - Stiftplatten Körper	1 mm <sup>2</sup>	0,75 mm <sup>2</sup>	
<b>Tensione nominale</b> Max voltage/Max Spannung	250V AC		
<b>Portata massima contatti</b> Max current/Max strom	16 A	10 A	4 A
<b>Portata nominale contatti</b> Operating current/Betriebsstrom	10 A	6 A	4 A
<b>Temperatura di funzionamento</b> Working temperature/Betriebstemperatur	-30°C / + 125°C		

### GUARNIZIONI IN GOMMA TERMOPLASTICA

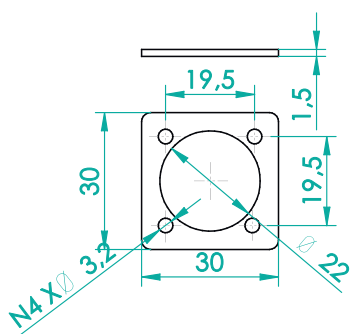
Thermoplastic Rubber Gasket/Thermoplastischem Gummi



### SCHEDA TECNICA

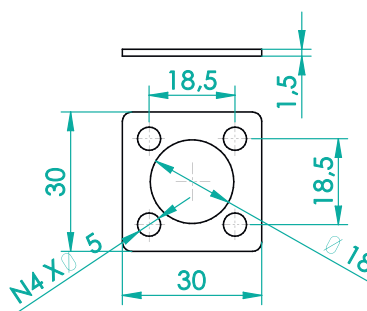
Technical information/Datenblatt

TIPO A - 1218



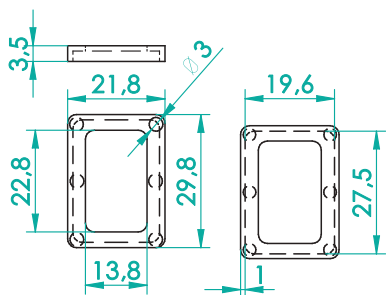
12GUA0

TIPO A - Solo per 121824FQC00 121834FQC00



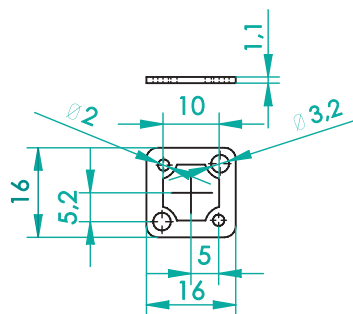
12GUA0

TIPO B - 1211



12GUB0

TIPO C - 1208-1294



12GU00

